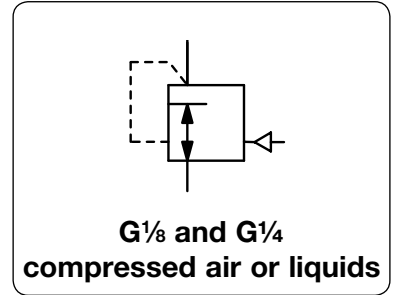


MINIATURE VOLUME BOOSTER

R364-JK / R035-JK

Description	Pilot-operated volume booster of small and light design with diaphragm. Also suitable as separator for media. The R035-J booster features a sensitive rolling diaphragm permitting good pressure constancy, compressed air, non-corrosive gases or liquids		
Media	compressed air, non-corrosive gases or liquids		
Supply pressure	max. 21 bar at R364-JK,	max. 10 bar at R035-JK	
Pilot pressure	max. 11 bar at R364-JK,	max. 6 bar at R035-JK,	pilot port G $\frac{1}{8}$
Transmission ratio	1:1 pilot pressure: outlet pressure		
Relieving function	non-relieving		
Gauge port	G $\frac{1}{8}$ on both sides of the body, one screw plug supplied for R035-JK or two screw plugs for R364-JK		
Mounting position	any		
Temperature range	R035-J: 0 °C to 50 °C / 32 °F to 122 °F R364-J: 0 °C to 80 °C / 32 °F to 176 °F		
Material	Body: brass at R364-JK, POM at R035-JK Elastomer: NBR/Buna-N, optionally FKM at R364-JK Inner valve: brass, optionally stainless steel at R364-JK		



Dimensions			Flow rate		Connection thread	Supply pressure	Pressure range	Order number
A	B	C	m 3 /h*1	l/min*1	G	max. bar	bar	
mm	mm	mm						

Brass booster						supply pressure max. 10 bar, non-relieving, without constant bleed, transmission ratio 1:1	R364-JK
35	40	12	27	450	G $\frac{1}{8}$	21	0.1 ... 11 R364-01JK
35	40	12	27	450	G $\frac{1}{4}$	21	0.1 ... 11 R364-02JK



R364-01JK

Plastic booster						supply pressure max. 10 bar, non-relieving, without constant bleed, transmission ratio 1:1	R035-JK
36	48	12	15	250	G $\frac{1}{8}$	10	0 ... 6 R035-01JK



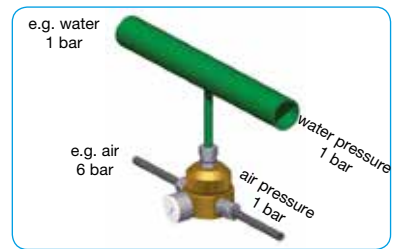
R035-01JK

Special options, add the appropriate letter

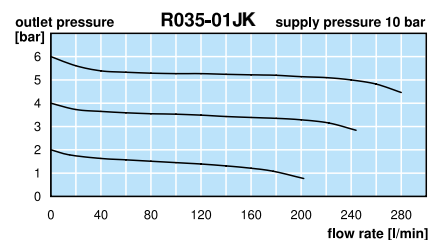
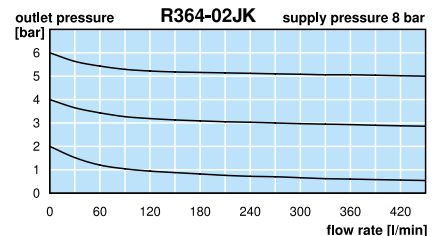
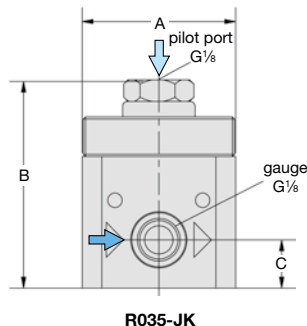
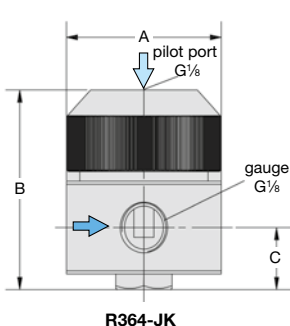
NPT	connection thread	R364-0 .JKN
free of grease and oil	specially cleaned, suitable for oxygen	R364-0 .JKL
FKM elastomer	inner parts made of brass	R364-0 .JKX64
	inner parts made of stainless steel	R364-0 .JKX08
EPDM elastomer	inner parts made of brass, PTFE membrane W270, KTW, DVGN permit	R364-0 .JKX37

Accessories, enclosed

pressure gauge	Ø 23 mm, 0 ... 6 bar, G $\frac{1}{8}$	for R035-J MA2301-06
	Ø 40 mm, 0 ... 16 bar, G $\frac{1}{8}$	for R364-J MA4001-16



example for media separator



*1 for R364-J at 8 bar supply pressure or R035-J at 10 bar supply pressure, 6 bar outlet pressure and 1 bar pressure drop

